

# Celebration Mystery Quilt-Along

## Part 3

Welcome to Part 3 of *Quilt Street's* Celebration Mystery Quilt-Along! In this installment, you'll be making easy half-square triangle units and combining them with square patches to make part of a block.

Be sure to download Part 1 and Part 2 of the pattern if you haven't already. And don't forget to watch the free quilt-along videos featuring instructor Krista Moser for her expert piecing and pressing tips. See you soon for Part 4!

### SPECIAL INSTRUCTIONS:

Read through entire pattern before beginning project. Use  $\frac{1}{4}$ " seam allowances with fabric right sides together. Pressing arrows are included with illustrations. Fabric requirements include extra yardage for shrinkage and insurance. If working with directional prints, you may want to begin with more fabric than called for.

HST = half-square triangle

WOF = width of fabric

### CUTTING:

#### From Fabric C, cut:

- (1) 5" x WOF strip. Cut strip into:
  - (6) 5" x 5" squares
- (2) 4½" x WOF strips. Cut strips into:
  - (12) 4½" x 4½" squares

#### From Fabric D, cut:

- (1) 5" x WOF strip. Cut strip into:
  - (6) 5" x 5" squares

### UNIT ASSEMBLY:

**1** Referring to **Diagram 1**, draw a diagonal line on wrong side of (1) **Fabric C** 5" square. Place marked square over (1) **Fabric D** 5" square. Sew a  $\frac{1}{4}$ " seam allowance on each side of drawn line. Cut in half on drawn line and press to make (2) **HST Units**. Trim to 4½" each. Make 12.

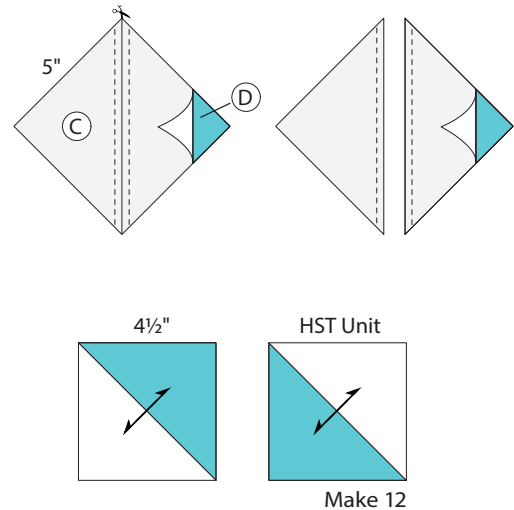


DIAGRAM 1

**2** Paying attention to orientation, lay out (2) **HST Units** and (2) **Fabric C** 4½" squares as shown in **Diagram 2**. Sew into rows. Sew rows together to make **Block Center Unit**. Make 6.

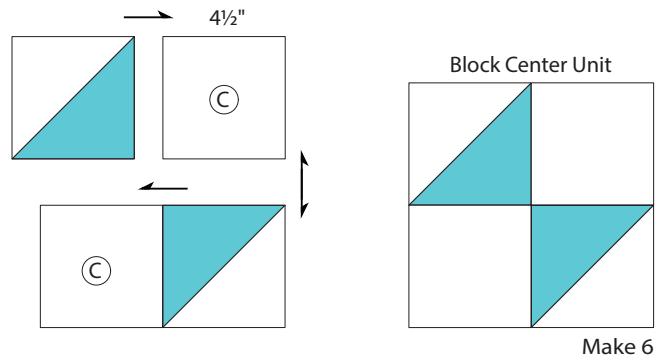


DIAGRAM 2